

35" INMARSAT "Collapsible" ANTENNA

GENERAL DESCRIPTION

Mechanical (Mount Option)	Antenna pointing 0° to 360° azimuth. Bubble level reference is provided. Angular scales provided for pointing. Antenna may be removed from housing for service and can be ordered separately.
Polarization	Right-Hand Circular
Connector	SMA Female or Type 'N'

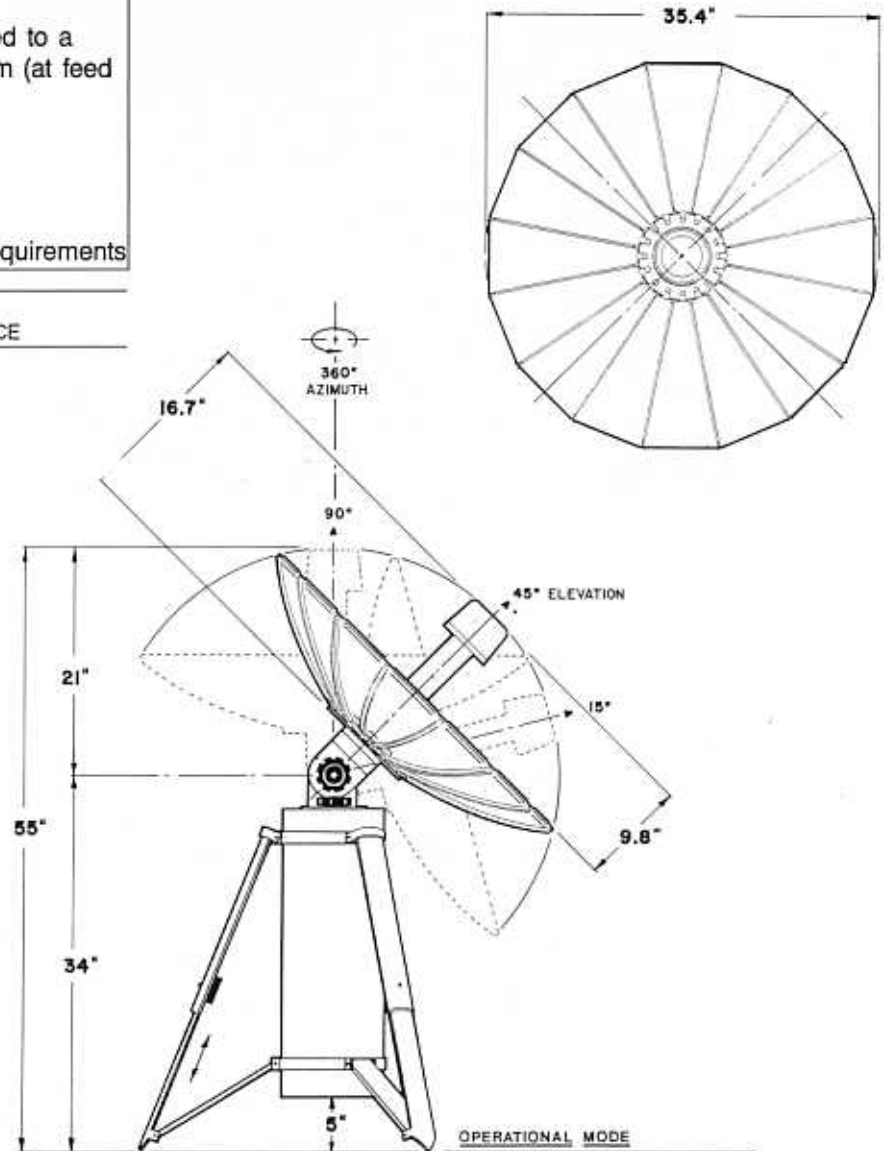
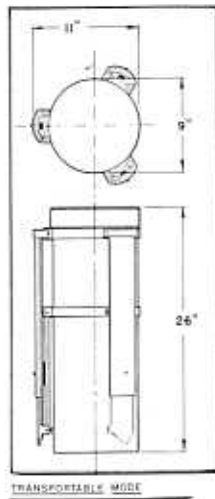
ENVIRONMENTAL

Operating Humidity	100%
Operating Temperature	-40° to +160°F
Operating Wind	30 MPH
Net Weights	Reflector 8 lbs. Antenna w/ mount - 35 lbs. Carrying bag - 6 lbs.

ELECTRICAL

Frequency Range	1530-1647.5 MHz
Gain	20.6 dBic (decibels referred to a circular isotrope), minimum (at feed connector)
Axial Ratio	2dB, on axis, maximum
Operating Power	60 watts CW
VSWR	1.6 maximum
Sidelobe Envelope	Meets INMARSAT SES requirements

© COPYRIGHT 1994 BY COMTECH ANTENNA
SPECIFICATIONS SUBJECT TO CHANGE WITHOUT NOTICE



COMTECH
ANTENNA SYSTEMS, INC.